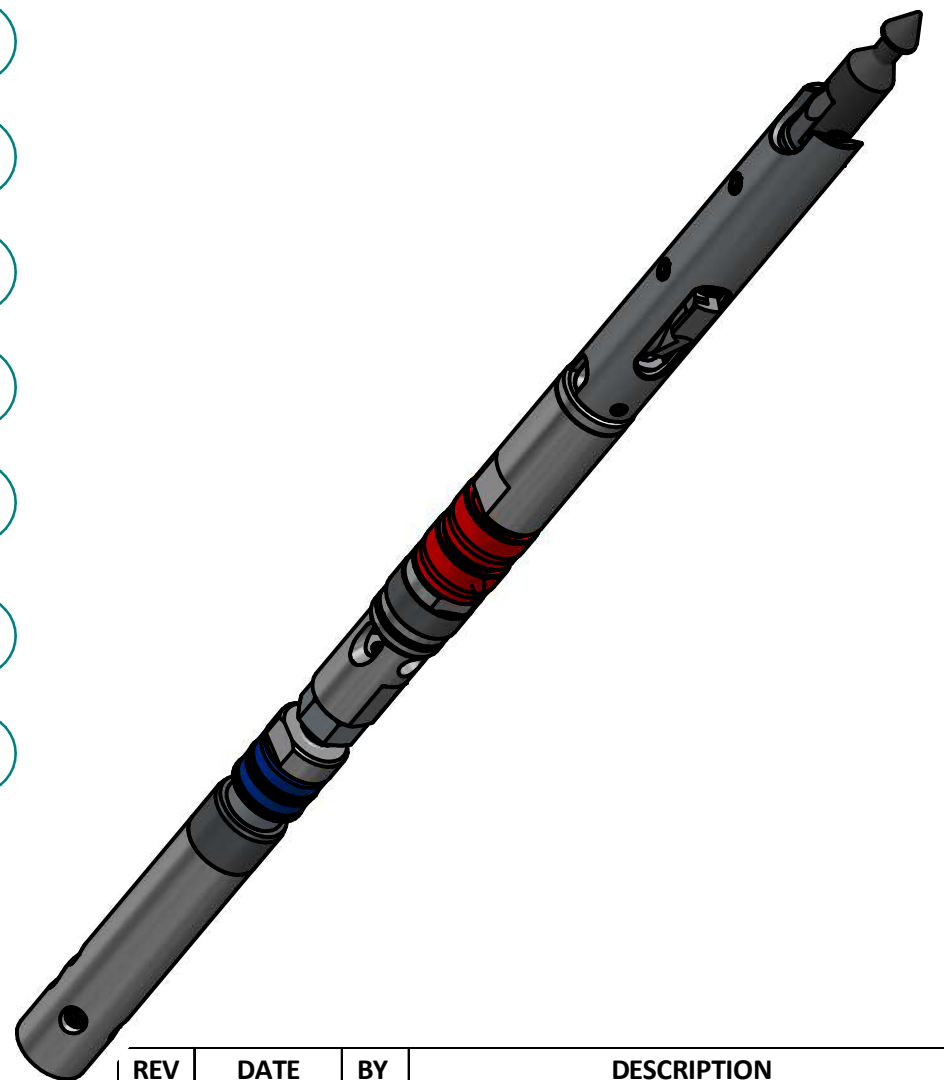
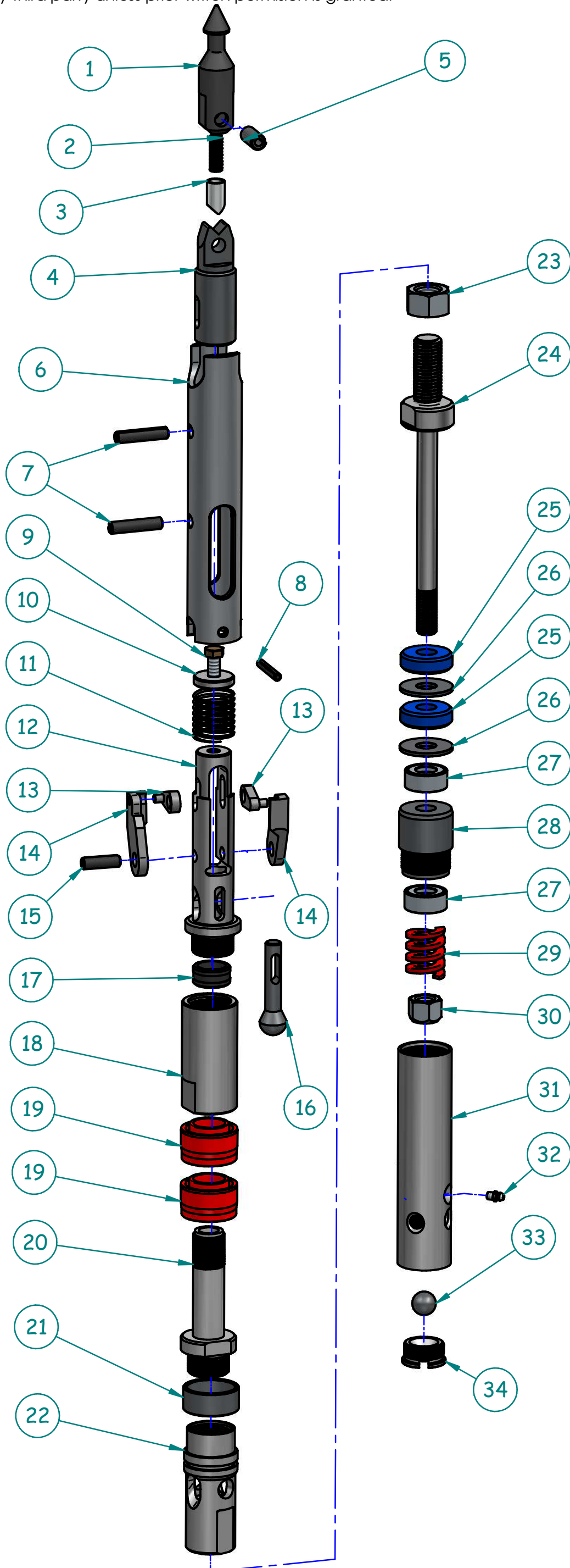


This DRAWING and the information contained thereon is the property of HUD Mining Supplies (Pty) Ltd and may not be disclosed or copied in whole or part thereof by any third party unless prior written permission is granted.

Item No	HUD Code	Description	KG	Qty
1	BNHSPRPNT	SPEARHEAD POINT	0.19	1
2	DETPLUSPR	DETENT PLUNGER SPRING	0.01	1
3	DETPLU	DETENT PLUNGER	0.01	1
4	BQSPRBASE	BQ SPEARHEAD BASE	0.44	1
5	BNHSPRPIN	SPEAR HEAD POINT PIN 7/16 x 1	0.02	1
6	BQPLREC	BQ PUMP IN LATCH RETRACT CASE	0.86	1
7	BQSPRPIN38134	BQ RETRACT CASE PIN 3/8 X 1 3/4	0.04	2
8	SPRPIN14158	SPRING PIN 1/4 X 1 5/8	0.01	1
9	BNHBOLT	NYLOC BOLT 3/8 - 16UNC x 3/4	0.02	1
10	BQWASH	BQ WASHERS	0.05	1
11	BQPILCOMP	BQ PUMP IN LATCH COMP SPRING	0.02	1
12	BQPIULB	BQ PUMP IN UPPER LATCH BODY	0.58	1
13	BQSLINK	BQ LINKS	0.04	1Set
14	BQLAT	BQ LATCHES	0.17	1Set
15	BQSPRPIN38114	BQ LATCH PIN 3/8 X 1 1/4	0.01	1
16	BQNQVALPIS	BQ/NQ VALVE PISTON	0.08	1
17	BNHLIND	LANDING INDICATOR BUSHING	0.01	1
18	BQPIADAPT	BQ PUMP IN ADAPTOR	0.67	1
19	BQPISEAL	BQ PUMP IN SEAL	0.03	2
20	BQPISSEAT	BQ PUMP IN SEAL SEAT	0.39	1
21	BQITLSH	BQ LANDING SHOULDER	0.06	1
22	BQSLLB	BQ LOWER LATCH BODY	0.5	1
23	BQLNUT	BQ LOCK NUT	0.09	1
24	BQSPINSFT	BQ SPINDLE SHAFTS	0.6	1
25	BQSOFFR	BQ SHUT OFF RUBBERS	0.03	2
26	BQVAWASH	BQ VALVE ADJUSTING WASHER	0.06	2
27	BQTHBRG	BQ THRUST/HANGER BEARING	0.08	2
28	BQSPINBRG	BQ SPINDLE BEARING	0.47	1
29	BQCOMPSP	BQ COMPRESSION SPRING	0.07	1
30	BQNYLOC	BQ NYLOC NUT	0.05	1
31	BQITCAP	BQ INNER TUBE CAP	0.75	1
32	GRENIP	GREASE NIPPLES 1/4 UNF	0.01	1
33	19MMSILBALLS	19MM SILVER BALLS	0.03	1
34	BQCHKVBDY	BQ CHECK VALVE BODY	0.07	1



REV	DATE	BY	DESCRIPTION
<p>HUD Mining Supplies (Pty) Ltd. info@hud.co.za www.hud.co.za Physical: 25-31 Brewery street, Isando Post: Postnet Suite 99, Private Bag X10010, Edenvale 1610 Tel: +27 11 974 1500 Fax: +27 11 974 1506</p>			
	NAME	DATE	TITLE
DRAWN	franshuc	17/06/22	BQ PUMP IN I/T HEAD COMP
UNLESS OTHERWISE SPECIFIED DIMENSIONS ARE IN MILLIMETERS TOLLERANCES : OPEN DIMENTIONS ± 0.1mm ANGLES ± 15°		SIZE A4	DWG NO BQPITHEAD
SCALE: NTS		WEIGHT:	REV
			SHEET 1 OF 2