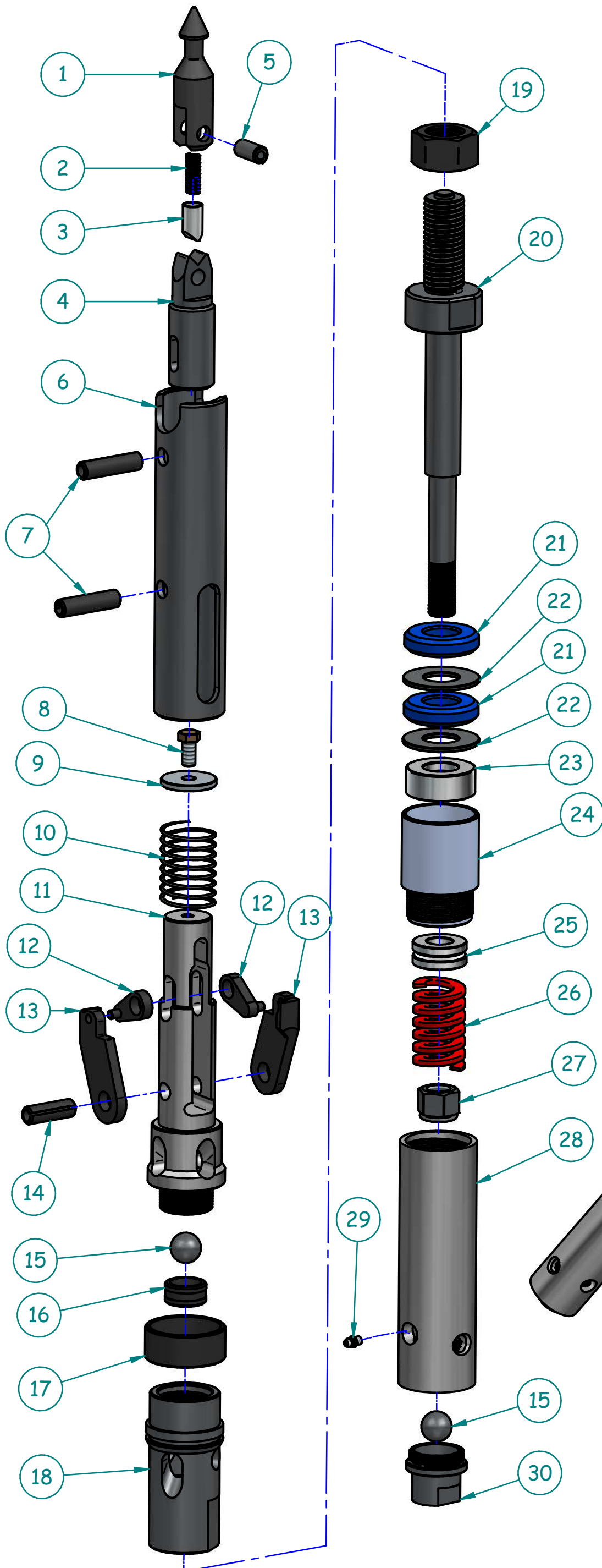



This DRAWING and the information contained thereon is the property of HUD Mining Supplies (Pty) Ltd and may not be disclosed or copied in whole or part thereof by any third party unless prior written permission is granted.



Item No	HUD Code	Description	KG	Qty
1	BNHSPRPNT	SPEARHEAD POINT	0.19	1
2	DETPLUSPR	DETENT PLUNGER SPRING	0.01	1
3	DETPLU	DETENT PLUNGER	0.01	1
4	NQSPRBASE	NQ SPEARHEAD BASE	0.44	1
5	BNHSPRPIN	SPEAR HEAD POINT PIN 7/16 x 1	0.02	1
6	NQITLCAS	NQ LATCH RETRACTING CASE	1.10	1
7	SPRPIN1/2X2	NQ SPRING PIN 1/2 X 2	0.03	2
8	BNHBOLT	NYLOC BOLT 3/8 - 16UNC x 3/4	0.02	1
9	NQWASH	NQ WASHER	0.04	1
10	NQSLCOMP	NQ LATCH COMPRESSION SPRING	0.03	1
11	NQSULB	NQ UPPER LATCH BODY	1.28	1
12	NQSLINK	NQ LINK	0.06	1 Set
13	NQLAT	NQ POSTIVE LATCHES	0.28	1 Set
14	SPRPIN12112	SPRING PIN 1/2 x 1 1/2	0.02	1
15	SILBALL	22MM SILVER BALLS	0.05	2
16	BNHLIND	LANDING INDICATOR BUSHING	0.01	1
17	NQITLSH	NQ LANDING SHOULDER	0.11	1
18	NQSLLB	NQ LOWER LATCH BODY	1.12	1
19	NQLNUT	NQ LOCK NUT	0.18	1
20	NQSPINSFT	NQ SPINDLE SHAFT	1.44	1
21	NQSOFFP	NQ SHUT OFF RUBBER	0.04	2
22	NQVAWASH	NQ VALVE ADJUSTING WASHER	0.04	2
23	NQTHRTBRG	NQ THRUST BEARING/HQ HANGER	0.19	1
24	NQSPINBRG	NQ SPINDLE BEARING	0.86	1
25	NQHANBRG	NQ HANGER BEARING	0.10	1
26	NQCOMPSPR	NQ COMPRESSION SPRING	0.17	1
27	NQNYLOC	NQ NYLOC NUT	0.07	1
28	NQITCAP	NQ INNER TUBE CAP	1.31	1
29	GRENIP	GREASE NIPPLES 1/4 UNF	0.01	1
30	HQCHKVBDY	NQ/HQ CHECK VALVE BODY	0.16	1

REV	DATE	BY	DESCRIPTION
2	2017/06/14	FS	Codes & Descriptions matched to system

HUD Mining Supplies (Pty) Ltd.
 info@hud.co.za www.hud.co.za
 Physical: 25-31 Brewery street, Isando
 Post: Postnet Suite 99, Private Bag X10010, Edenvale 1610
 Tel: +27 11 974 1500 Fax: +27 11 974 1506



NAME	DATE	TITLE
franshuc	17/06/14	NQ INNER TUBE HEAD COMP
SIZE	DWG NO	REV
A4	NQITHEAD	2
UNLESS OTHERWISE SPECIFIED DIMENSIONS ARE IN MILLIMETERS TOLLERANCES : OPEN DIMINTIONS ± 0.1mm ANGLES ± 15°		FILE NAME: NQITHEAD.dft
SCALE: NTS	WEIGHT:	SHEET 1 OF 2