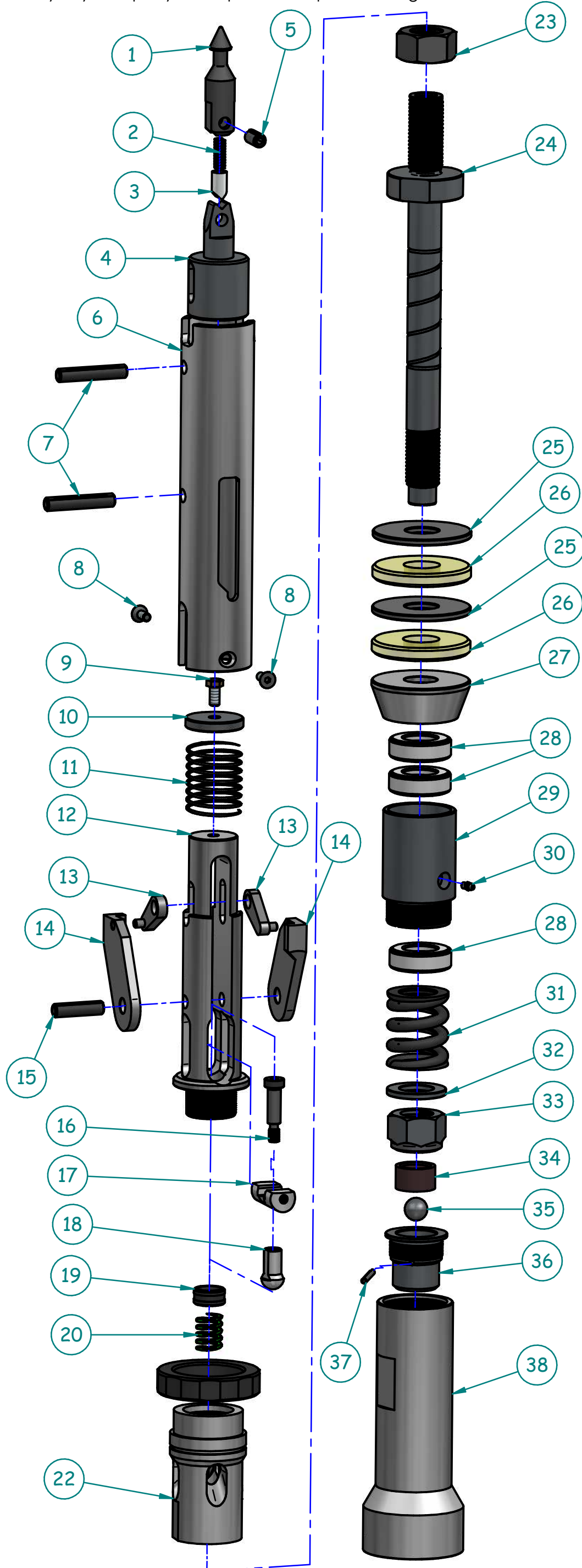


This DRAWING and the information contained thereon is the property of HUD Mining Supplies (Pty) Ltd and may not be disclosed or copied in whole or part thereof by any third party unless prior written permission is granted.



Item No	HUD Code	Description	KG	Qty
1	BNHSPRPNT	SPEARHEAD POINT	0.19	1
2	DETPLUSPR	DETENT PLUNGER SPRING	0.01	1
3	DETPLU	DETENT PLUNGER	0.02	1
4	HQSPRBASE	HQ SPEARHEAD BASE	0.80	1
5	BNHSPRPIN	SPEAR HEAD POINT PIN 7/16 x 1	0.02	1
6	HQSLREC	HQ LATCH RETRACTING CASE	2.96	1
7	HQSPRPIN12234	HQ RETRACT CASE PIN 1/2 x 2 3/4	0.04	2
8	PQSLCSC	PQ S/LOCK CAP SCREW	0.01	2
9	BNHBOLT	NYLOC BOLT 3/8 - 16UNC x 3/4	0.02	1
10	HQWASH	HQ WASHER	0.17	1
11	HQSLCOMP	HQ LATCH COMPRESSION SPRING	0.04	1
12	HQSULB	HQ UPPER LATCH BODY	2.25	1
13	HQSLINK	HQ LINK	0.12	1 SET
14	PQSLLAT	PQ S/LOCK LATCH	0.74	1 SET
15	SPRPIN1/2x2	SPRING PIN 1/2 x 2	0.03	1
16	HPSLSBOLT	HQ/PQ S/LOCK SHOULDER BOLT	0.06	1
17	HPSLDVH	HQ/PQ DRY HOLE VALVE HOLDER	0.12	1
18	PQSLTSB	PQ S/LOCK THREADED STEEL BALL	0.06	1
19	BNHLIND	LANDING INDICATOR BUSHING	0.01	1
20	PQSLFRS	FLUID RETENTION SPRING	0.03	1
21	PQSLLS	PQ S/LOCK LANDING SHOULDER	0.73	1
22	HQSLLB	HQ LOWER LATCH BODY	2.30	1
23	HQLNUT	HQ LOCK NUT	0.33	1
24	PQSLSS	PQ S/LOCK SPINDLE SHAFT	2.01	1
25	PQSLAWASH	PQ S/LOCK VALVE ADJ WASHER	0.29	2
26	PQSLSOFFR	PQ S/LOCK SHUT OFF RUBBER	0.08	2
27	PQSLTWASH	PQ S/LOCK TAPER WASHER	0.68	1
28	HQTHRTBRG	HQ THRUST BEARING	0.22	3
29	HQSPINBRG	HQ SPINDLE BEARING	1.83	1
30	GRENIP	GREASE NIPPLES 1/4 UNF	0.01	1
31	PQSLCOMPSP	PQ S/LOCK COMPRESSION SPRING	0.10	1
32	PQSLCSW	PQ S/LOCK COMP SPRING WASHER	0.47	1
33	PQSLNYNUT	PQ S/LOCK NYLOCK NUT	0.07	1
34	PQSLBUSH	PQ S/LOCK BUSH	0.35	1
35	SILBALL	22MM SILVER BALLS	0.04	1
36	PQSLCUB	PQ S/LOCK CHECK VALVE BODY	0.35	1
37	PQSLCVBSP	PQ S/LOCK CHECK VALVE SPRING PIN	0.01	1
38	PQSLITC	PQ S/LOCK INNER TUBE CAP	2.88	1



REV	DATE	BY	DESCRIPTION
1	2017/05/26	FS	ADDED ALL SURE LOCK ITEMS

HUD Mining Supplies (Pty) Ltd.			
info@hud.co.za		www.hud.co.za	
Physical: 25-31 Brewery street, Isando			
Post: Postnet Suite 99, Private Bag X10010, Edenvale 1610			
Tel: +27 11 974 1500		Fax: +27 11 974 1506	
NAME		DATE	TITLE
DRAWN: franshuc		17/06/14	PQ INNER TUBE HEAD S-LOCK COMP
UNLESS OTHERWISE SPECIFIED DIMENSIONS ARE IN MILLIMETERS TOLLERANCES : OPEN DIMENTIONS ± 0.1mm ANGLES ± 15°		SIZE A4	DWG NO PQITHEAD
SCALE: NTS		WEIGHT:	REV 1
			FILE NAME: PQITHEAD.dft
			SHEET 1 OF 2