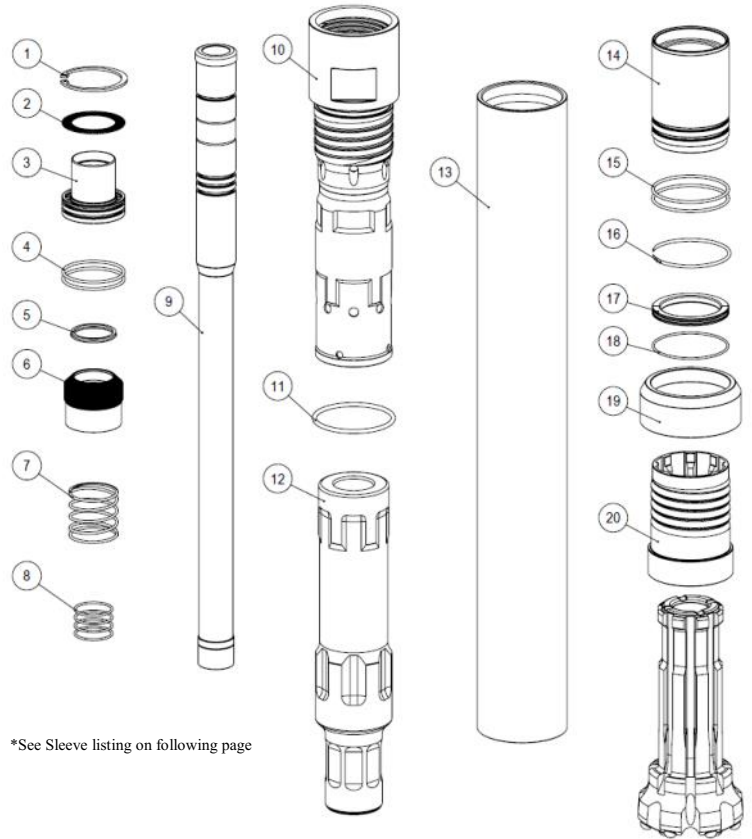


Document Type: **Spare Parts List for AD117-XL\* RC Hammer**

Hammer Model: AD117-XL\* RC (Hammer OD 117mm) Metzke 4-1/2" Box

Item No	Description	Part No	Weight (kg)	Qty
1	CIRCLIP	5117110	0.05	1
2	AIR SCREEN	5117620	0.02	1
3	ADAPTOR NOZZLE	5117600	0.50	1
4	ADAPTOR NOZZLE O RING	5117610	0.02	2
5	CHECK VALVE SEAL	5117915	0.02	1
6	CHECKVALVE	5117900	0.60	1
7	C/VALVE SPRING	5117910	0.10	1
8	I/TUBE O RINGS	545/7	0.02	4
9	INNER TUBE	5117505 HT	5.00	1
10	TOP CYLINDER ASSEMBLY	5117700	8.00	1
11	TOP CYLINDER ORING	5117710	0.02	1
12	PISTON	5117200	14.00	1
13	PISTON CASE	5117100XL*	18.00	1
14	BEARING BUSH	5117300XL*	2.500	1
15	BEARING BUSH O'RING	5108310	0.02	2
16	PISTON RETAINER RING	5117201XL*	0.02	1
17	BIT RINGS	5117800S	0.22	1
18	BIT RING O RING	5108810	0.02	1
19	SLEEVE	5117920-*	0.65	1
20	DRIVE SUB	5117400	3.00	1
	*O' RING KIT	5117120		
	<b>Complete Hammer</b>	<b>5117000XL*</b>	<b>62</b>	



\*See Sleeve listing on following page

**Percussion Bits**

124mm (4-7/8") - 140mm (5-1/2")

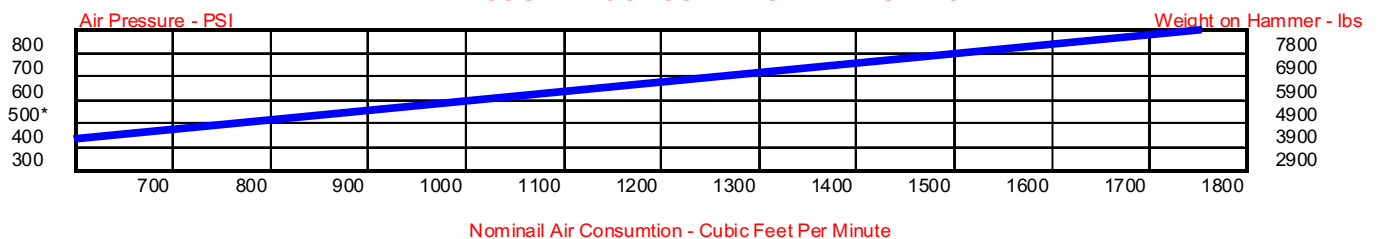
**Hammer Information**

Thread Make Up Torque	Thrust on Hammer	Tolerances		Spanner Flats
2267 - 2449 kg force	Minimum 1329 kg	Piston to Piston Case Clearance	0.3mm	101.6 mm
	Maximum 3551 kg	Drill Bit Collar & Drive Sub I.D	0.5 mm	

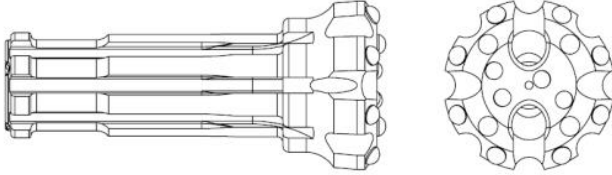
**Percussion Bit Sizes**

Diameter	Weight	Face Design	Buttons
124mm	11.8kg	Concave	Hemi
127mm	12kg	Concave	Hemi
137mm	12.4kg	Concave	Hemi
140mm	12.5kg	Concave	Hemi

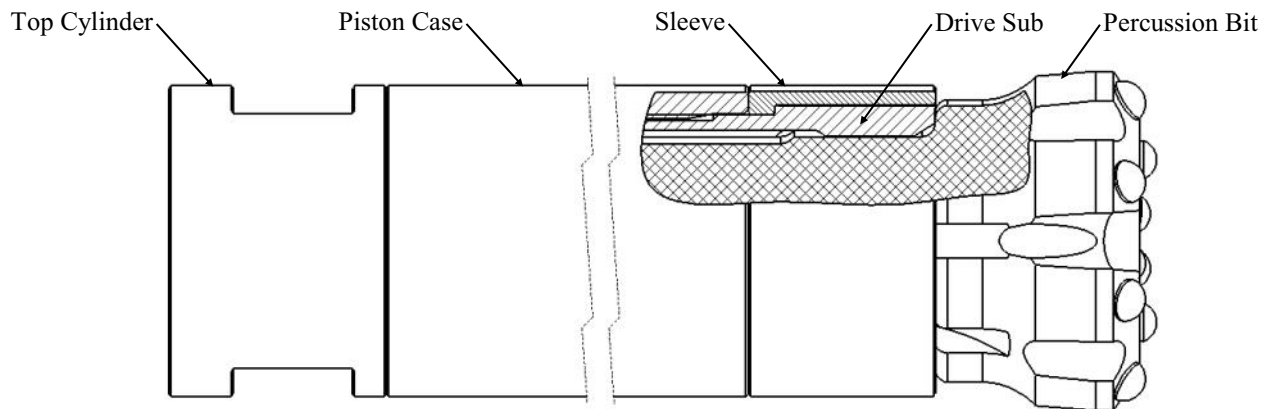
**AIR PRESSURE - CONSUMPTION - WEIGHT CHART**



## PERCUSSION BITS

<b>REVERSE CIRCULATION PERCUSSION BIT</b>							
Hammer Model	Size		Part Number	Gauge Carbides	Face Carbides	Weight	
	mm	Inches				Kg	Lbs
5117 RC	Reverse Circulation						
							
	124	4-7/8"	B5117124	8 x 9/16"	8 x 1/2"	11.8	26.1
	127	5"	B5117127	8 x 9/16"	8 x 9/16"	12	26.5
	130	5-1/8"	B5117130	8 x 9/16"	8 x 9/16"	12.2	26.9
	133	5-1/4"	B5117133	8 x 5/8"	8 x 9/16"	12.2	26.9
	137	5-3/8"	B5117137	8 x 5/8"	4 x 5/8" & 4 x 9/16"	12.4	27.4
	140	5-1/2"	B5117140	8 x 5/8"	4 x 5/8" & 4 x 9/16"	12.5	27.6
	Collaring Bit						
	152	6"	B5117152	8 x 5/8"	9 x 5/8"	16.6	36.7
	165	6-1/2"	B5117165	8 x 5/8"	10 x 5/8"	17.7	39.1
	171	6-3/4"	B5117171	8 x 5/8"	10 x 5/8"	18.2	40.2
	178	7"	B5117178	8 x 5/8"	10 x 5/8"	18.6	41.1
	191	7-1/2"	B5117191	8 x 5/8"	10 x 5/8"	19.3	42.7

## SLEEVES



Airdrill Hammers and Bits recommends running an ADHB Sleeve with our Hammers and Drill Bits. Refer to the table below for sleeve part numbers

5117 Sleeve Part Number			
Sleeve Part Number	Sleeve Finish Diameter	Suit Bit Size	Percussion Bit Part Number
5117920-01	122.2	124 (4-7/8")	B5117124
5117920-03	125.4	127 (5")	B5117127
5117920-05	128.6	130 (5-1/8")	B5117130
5117920-07	131.8	133 (5-1/4")	B5117133
5117920-09	134.9	137 (5-3/8")	B5117137
5117920-11	138.1	140 (5-1/2")	B5117140
5117920-19	150.8	152 (6")	B5117152
5117920-27	163.5	165 (6-1/2")	B5117165
5117920-31	169.9	171 (6-3/4")	B5117171
5117920-35	176.2	178 (7")	B5117178
5117920-43	188.9	191 (7-1/2")	B5117191

Please Note: Outside diameter of all sleeve's is 1.6mm (1/16") smaller than the nominal bit diameter.

