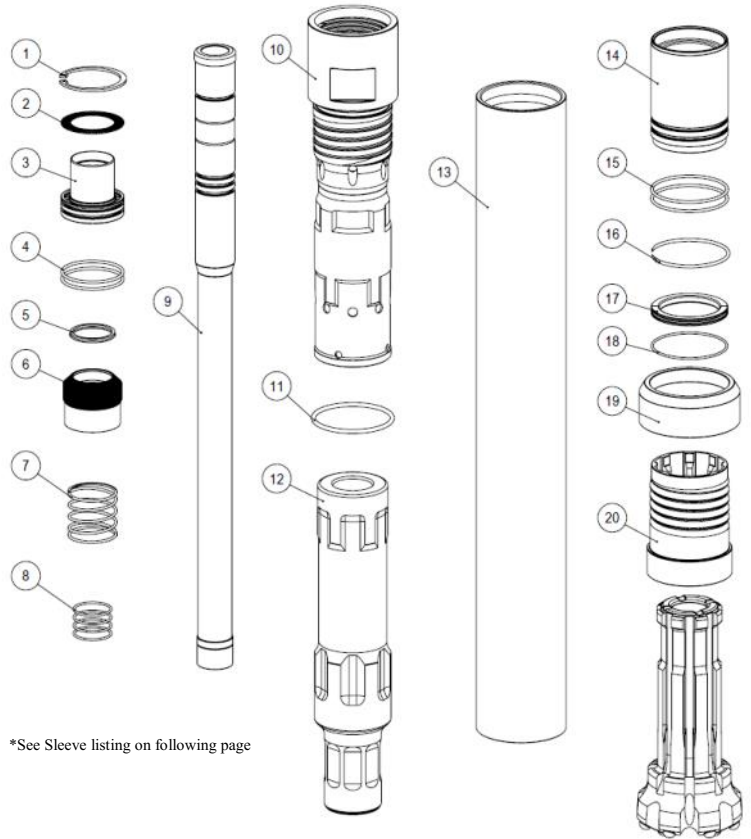


Document Type: **Spare Parts List for AD124SM**

Hammer Model: AD124SM (Hammer OD 124mm) Metzke 4-1/2" Box

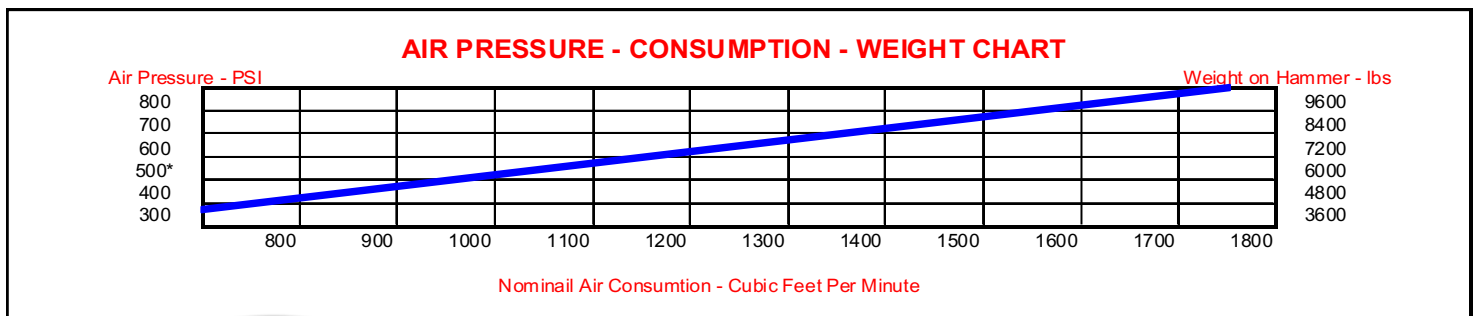
Item No	Description	Part No	Weight (kg)	Qty
1	CIRCLIP	5117110	0.05	1
2	AIR SCREEN	5117620	0.02	1
3	ADAPTOR NOZZLE	5117600	0.50	1
4	ADAPTOR NOZZLE O RING	5117610	0.01	2
5	CHECK VALVE SEAL	5117915	0.01	1
6	CHECKVALVE	5117900	0.60	1
7	C/VALVE SPRING	5117910	0.10	1
8	I/TUBE O RINGS	545/7	0.01	4
9	INNER TUBE	5124505 HT	5.00	1
10	TOP CYLINDER ASSEMBLY	5124700	11.00	1
11	TOP CYLINDER O RING	5124710	0.01	1
12	PISTON	5124200	16.00	1
13	PISTON CASE	5124100SM	19.00	1
14	BEARING BUSH	5124300SM	3.00	1
15	BEARING BUSH O'RING	5124310	0.01	2
16	PISTON RETAINER RING	5124201	0.02	1
17	BIT RINGS	5124800	0.25	1
18	BIT RING O RING	5108810	0.01	1
19	SLEEVE	5124920-*	0.42	1
20	DRIVE SUB	5124400	3.50	1
	O' RING KIT	5124120		
	Complete Hammer	5124000SM	67	



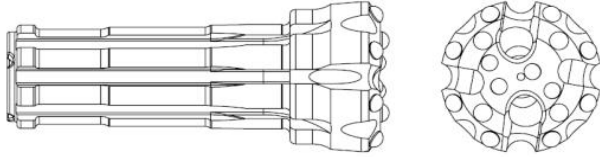
Percussion Bits	
	133mm(5-1/4") - 146mm (5-3/4")

Hammer Information				
Thread Make Up Torque	Thrust on Hammer	Tolerances		Spanner Flats
2267 - 2449 kg force	Minimum 1329 kg	Piston to Piston Case Clearance	0.3mm	101.6 mm
	Maximum 3551 kg	Drill Bit Collar & Drive Sub I.D	0.5 mm	

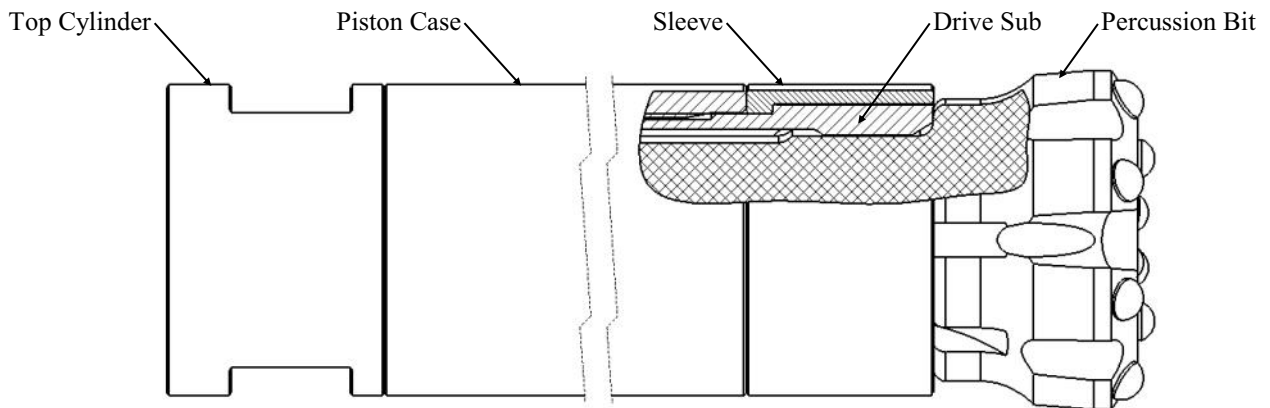
Percussion Bit Sizes				
Diameter	Weight	Face Design	Buttons	
133mm	14.8kg	Concave	Hemi	
137mm	15kg	Concave	Hemi	
140mm	15.3kg	Concave	Hemi	
143mm	15.5kg	Concave	Hemi	



PERCUSSION BITS

REVERSE CIRCULATION PERCUSSION BIT							
Hammer Model	Size		Part Number	Gauge Carbides	Face Carbides	Weight	
	mm	Inches				Kg	Lbs
5124 RC	Reverse Circulation						
							
	133	5-1/4"	B5124133	8 x 5/8"	4 x 5/8" & 4 x 9/16"	14.8	33
	137	5-3/8"	B5124137	8 x 5/8"	4 x 5/8" & 4 x 9/16"	15	33.2
	140	5-1/2"	B5124140	8 x 5/8"	4 x 5/8" & 5 x 9/16"	15.3	33.8
	143	5-5/8"	B5124143	8 x 5/8"	4 x 5/8" & 5 x 9/16"	15.5	34.1
	146	5-3/4"	B5124146	8 x 5/8"	4 x 5/8" & 6 x 9/16"	15.7	34.7
	Collaring Bit						
	178	7"	B5124178	8 x 5/8"	10 x 5/8"	21.9	48.4
	191	7-1/2"	B5124191	8 x 5/8"	10 x 5/8"	23	50.6

SLEEVES



Airdrill Hammers and Bits recommends running an ADHB Sleeve with our Hammers and Drill Bits. Refer to the table below for sleeve part numbers

5124 Sleeve Part Number			
Sleeve Part Number	Sleeve Finish Diameter	Suit Bit Size	Percussion Bit Part Number
5124920-01	131.8	133 (5-1/4")	B5124133
5124920-03	134.9	137 (5-3/8")	B5124137
5124920-05	138.1	140 (5-1/2")	B5124140
5124920-07	141.3	143 (5-5/8")	B5124143
5124920-09	144.5	146 (5-3/4")	B5124146
5124920-29	176.2	178 (7")	B5124178
5124920-37	188.9	191 (7-1/2")	B5124191

Please Note: Outside diameter of all sleeve's is 1.6mm (1/16") smaller than the nominal bit diameter.

