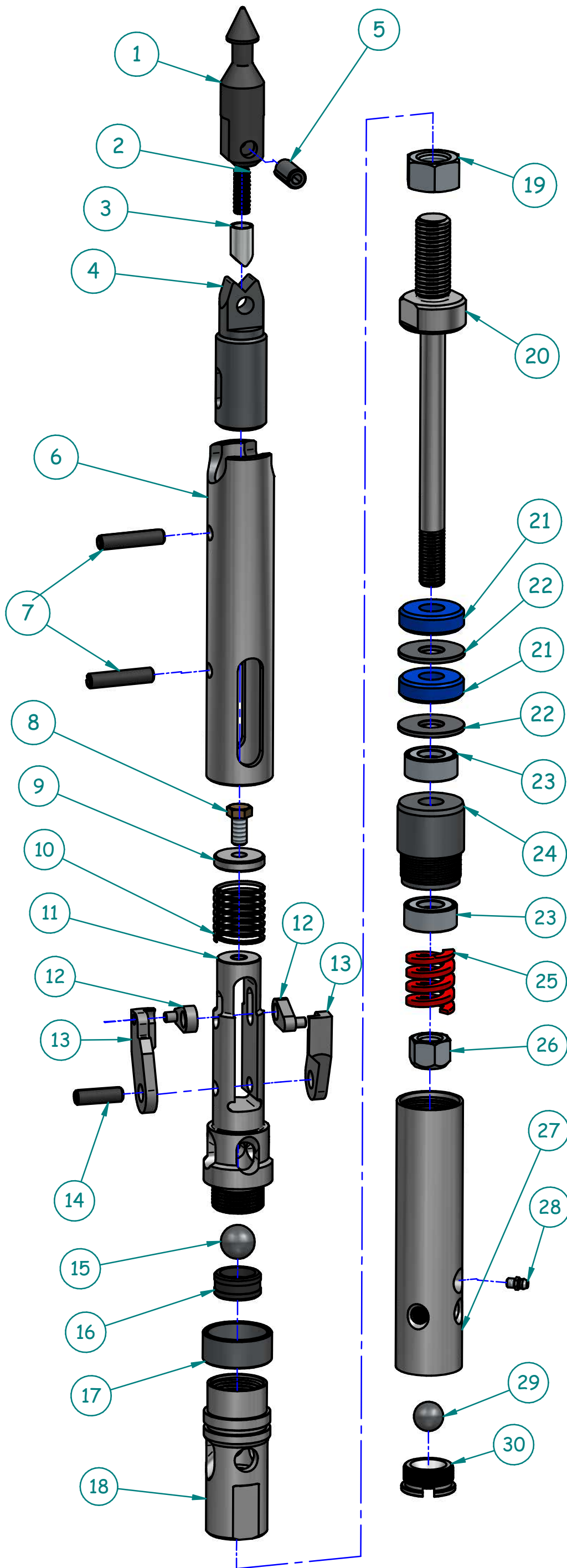


This DRAWING and the information contained thereon is the property of HUD Mining Supplies (Pty) Ltd and may not be disclosed or copied in whole or part thereof by any third party unless prior written permission is granted.



Item No	HUD Code	Description	KG	Qty
1	BNHSPRPNT	SPEARHEAD POINT	0.19	1
2	DETPLUSPR	DETENT PLUNGER SPRING	0.01	1
3	DETPLU	DETENT PLUNGER	0.01	1
4	BQSPRBASE	BQ SPEARHEAD BASE	0.44	1
5	BNHSPRPIN	SPEAR HEAD POINT PIN 7/16 x 1	0.02	1
6	BQSLREC	BQ LATCH RETRACTING CASE	0.86	1
7	BQSPRPIN38134	BQ RETRACT CASE PIN (3/8 X1 3/4)	0.04	2
8	BNHBOLT	NYLOC BOLT 3/8 - 16UNC x 3/4	0.02	1
9	BQWASH	BQ WASHERS	0.05	1
10	BQSLCOMP	BQ LATCH COMPRESSION SPRING	0.02	1
11	BQSULD	BQ UPPER LATCH BODY	0.58	1
12	BQSLINK	BQ LINKS	0.04	1 Set
13	BQLAT	BQ LATCHES	0.17	1 Set
14	BQSPRPIN38114	BQ LATCH PIN (3/8 X1 1/4)	0.01	1
15	SILBALL	22MM SILVER BALLS	0.05	1
16	BNHLIND	LANDING INDICATOR BUSHING	0.01	1
17	BQITLSH	BQ LANDING SHOULDER	0.06	1
18	BQSLLB	BQ LOWER LATCH BODY	0.5	1
19	BQLNUT	BQ LOCK NUT	0.09	1
20	BQSPINSFT	BQ SPINDLE SHAFTS	0.6	1
21	BQSOFFR	BQ SHUT OFF RUBBERS	0.03	2
22	BQVAWASH	BQ VALVE ADJUSTING WASHER	0.06	2
23	BQTHBRG	BQ THRUST/HANGER BEARING	0.08	2
24	BQSPINBRG	BQ SPINDLE BEARING	0.47	1
25	BQCOMPSP	BQ COMPRESSION SPRING	0.07	1
26	BQNYLOC	BQ NYLOC NUT	0.05	1
27	BQITCAP	BQ INNER TUBE CAP	0.75	1
28	GRENIP	GREASE NIPPLES 1/4 UNF	0.01	1
29	19MMSILBALLS	19MM SILVER BALLS	0.03	1
30	BQCHKVBDY	BQ CHECK VALVE BODY	0.07	1



REV	DATE	BY	DESCRIPTION
2	2017/06/13	FS	Codes & Descriptions matched to system

HUD Mining Supplies (Pty) Ltd.
 info@hud.co.za www.hud.co.za
 Physical: 25-31 Brewery street, Isando
 Post: Postnet Suite 99, Private Bag X10010, Edenvale 1610
 Tel: +27 11 974 1500 Fax: +27 11 974 1506

NAME	DATE	TITLE
franshuc	17/06/14	BQ INNER TUBE HEAD COMP

SIZE	DWG NO	REV
A4	BQITHEAD	2

UNLESS OTHERWISE SPECIFIED
 DIMENSIONS ARE IN MILLIMETERS
 TOLLERANCES : OPEN DIMENTIONS ± 0.1mm
 ANGLES ± 15°

SCALE	WEIGHT	SHEET
NTS		1 OF 2