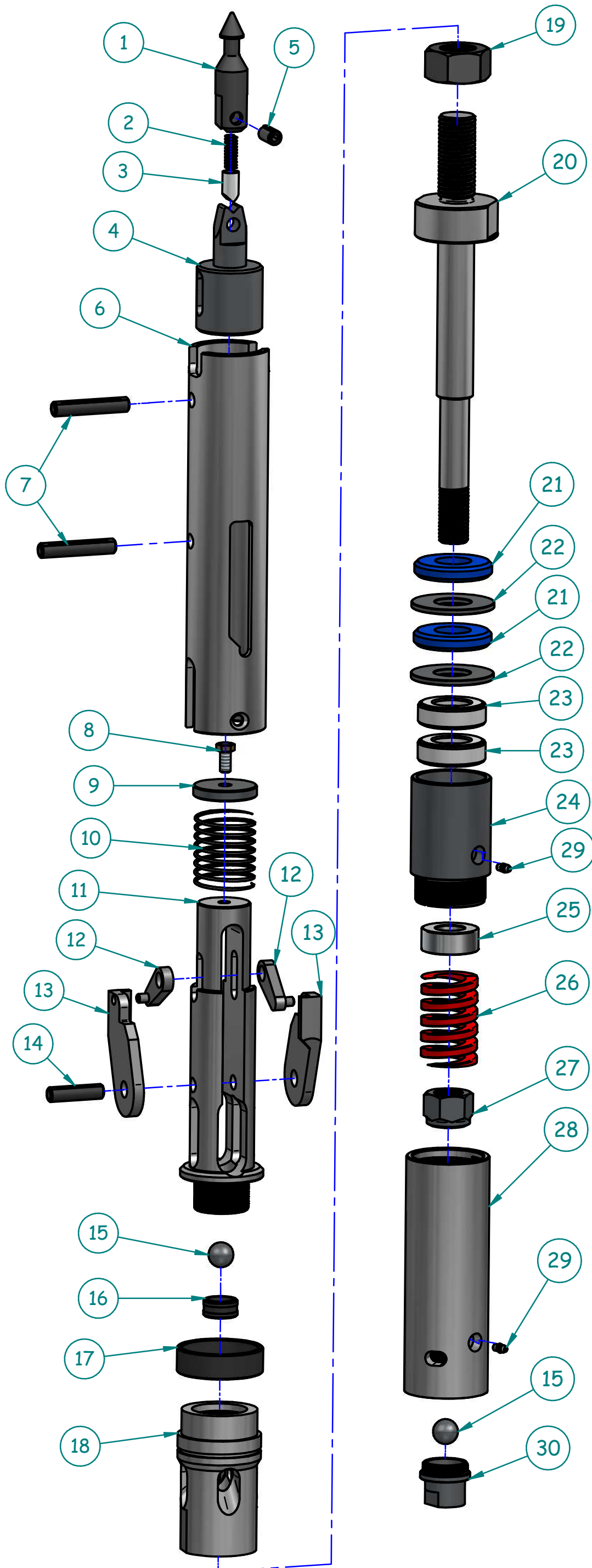


This DRAWING and the information contained thereon is the property of HUD Mining Supplies (Pty) Ltd and may not be disclosed or copied in whole or part thereof by any third party unless prior written permission is granted.



Item No	HUD Code	Description	KG	Qty
1	BNHSPRPNT	SPEARHEAD POINT	0.19	1
2	DETPLUSPR	DETENT PLUNGER SPRING	0.01	1
3	DETPLU	DETENT PLUNGER	0.02	1
4	HQSPRBASE	HQ SPEARHEAD BASE	0.80	1
5	BNHSPRPIN	SPEAR HEAD POINT PIN 7/16 x 1	0.02	1
6	HQSLREC	HQ LATCH RETRACTING CASE	2.96	1
7	HQSPRPIN12234	HQ RETRACT CASE PIN 1/2 x 2 3/4	0.04	2
8	BNHBOLT	NYLOC BOLT 3/8 - 16UNC x 3/4	0.02	1
9	HQWASH	HQ WASHER	0.17	1
10	HQSLCOMP	HQ LATCH COMPRESSION SPRING	0.04	1
11	HQSULB	HQ UPPER LATCH BODY	2.25	1
12	HQSLINK	HQ LINK	0.66	1 Set
13	HQLAT	HQ POSTIVE LATCHES	0.12	1 Set
14	SPRPIN1/2X2	NQ SPRING PIN 1/2 X 2	0.03	1
15	SILBALL	22MM SILVER BALLS	0.04	2
16	BNHLIND	LANDING INDICATOR BUSHING	0.01	1
17	HQITLSH	HQ LANDING SHOULDER	0.17	1
18	HQSLLB	HQ LOWER LATCH BODY	2.30	1
19	HQLNUT	HQ LOCK NUT	0.33	1
20	HQSPINSFT	HQ SPINDLE SHAFT	2.81	1
21	HQSOFFP	HQ SHUT OFF RUBBER	0.04	2
22	HQAWASHER	HQ VALVE ADJUSTING WASHER	0.12	2
23	HQTHRTBRG	HQ THRUST BEARING	0.22	2
24	HQSPINBRG	HQ SPINDLE BEARING	1.83	1
25	NQTHRTBRG	NQ THRUST BEARING/HQ HANGER	0.19	1
26	HQCOMPSP	HQ COMPRESSION SPRING	0.42	1
27	HQNNUT	HQ NYLOC NUT	0.17	1
28	HQITCAP	HQ INNER TUBE CAP	2.92	1
29	GRENIP	GREASE NIPPLES 1/4 UNF	0.01	2
30	HQCHKVBDY	NQ/HQ CHECK VALVE BODY	0.16	1



REV	DATE	BY	DESCRIPTION
2	2017/06/14	FS	Codes & Descriptions matched to system

HUD Mining Supplies (Pty) Ltd.

info@hud.co.za www.hud.co.za
 Physical: 25-31 Brewery street, Isando
 Post: Postnet Suite 99, Private Bag X10010, Edenvale 1610
 Tel: +27 11 974 1500 Fax: +27 11 974 1506



NAME	DATE	TITLE	REV
franshuc	17/06/14	HQ INNER TUBE HEAD COMP	1
UNLESS OTHERWISE SPECIFIED DIMENSIONS ARE IN MILLIMETERS TOLLERANCES : OPEN DIMENTIONS ± 0.1mm ANGLES ± 15°		SIZE A4 DWG NO HQITHEAD FILE NAME: HQITHEAD.dft	SCALE: NTS WEIGHT: SHEET 1 OF 2