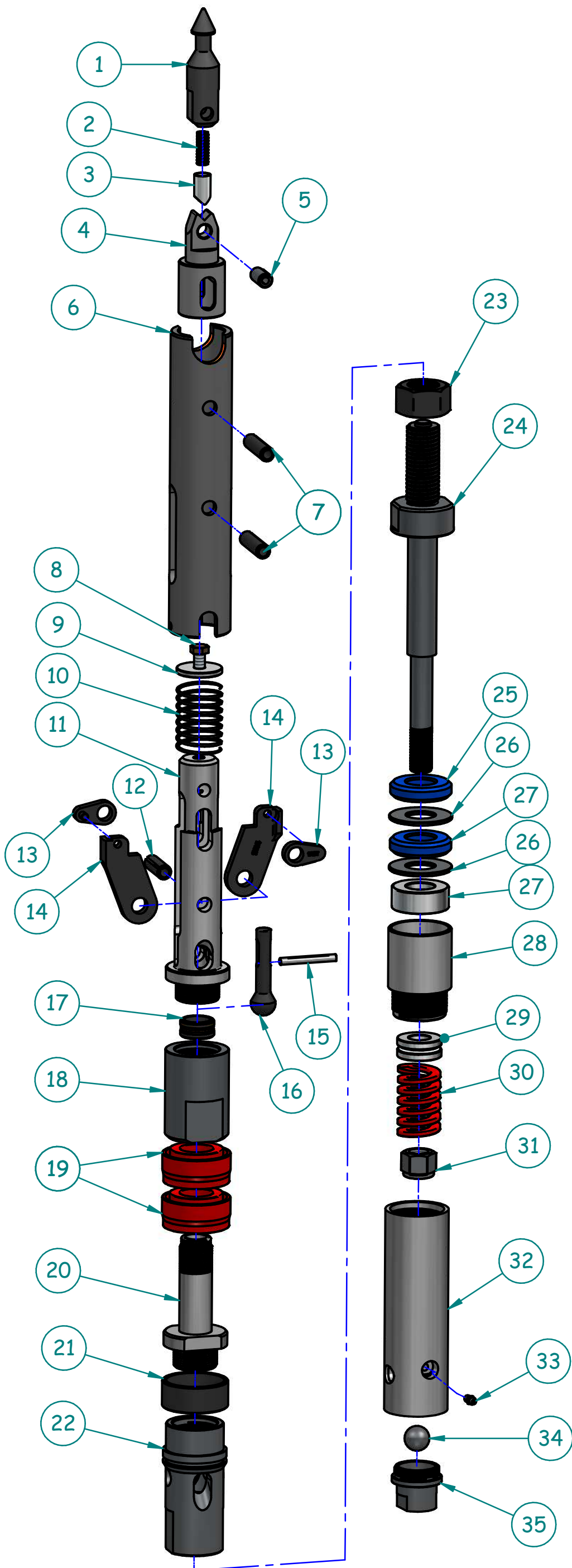


This DRAWING and the information contained thereon is the property of HUD Mining Supplies (Pty) Ltd and may not be disclosed or copied in whole or part thereof by any third party unless prior written permission is granted.

Item No	HUD Code	Description	KG	Qty
1	BNHSPRPNT	SPEARHEAD POINT	0.19	1
2	DETPLUSPR	DETENT PLUNGER SPRING	0.01	1
3	DETPLU	DETENT PLUNGER	0.01	1
4	NQSPRBASE	NQ PUMP IN SPEARHEAD BASE	0.38	1
5	BNHSPRPIN	SPEAR HEAD POINT PIN 7/16 x 1	0.02	1
6	NQPITLCAS	NQ PUMP IN LATCH RETRACTING CA	1.10	1
7	SPRPIN1/2X2	NQ SPRING PIN 1/2 X 2	0.03	2
8	BNHBOLT	NYLOC BOLT 3/8 - 16UNC x 3/4	0.02	1
9	NQWASH	NQ WASHER	0.04	1
10	NQSLCOMP	NQ LATCH COMPRESSION SPRING	0.03	1
11	NQPSULB	NQ PUMP IN UPPER LATCH BODY	1.07	1
12	SPRPIN12112	SPRING PIN 1/2 x 1 1/2	0.02	1
13	NQSLINK	NQ LINK	0.06	1 Set
14	NQLAT	NQ POSTIVE LATCHES	0.28	1 Set
15	SPRPIN1/42	SPRING PIN 1/4 X 2	0.01	1
16	BQNQVALPIS	BQ/NQ VALVE PISTON	0.08	1
17	BNHLIND	LANDING INDICATOR BUSHING	0.01	1
18	NQPADAPT	NQ PUMP IN ADAPTOR	1	1
19	NQPSEAL	NQ PUMP IN SEAL	0.05	2
20	NQPSSEAT	NQ PUMP IN SEAL SEAT	0.57	1
21	NQITLSH	NQ LANDING SHOULDER	0.11	1
22	NQSLLB	NQ LOWER LATCH BODY	1.12	1
23	NQLNUT	NQ LOCK NUT	0.18	1
24	NQSPINSFT	NQ SPINDLE SHAFT	1.44	1
25	NQSOFFP	NQ SHUT OFF RUBBER	0.04	2
26	NQVAWASH	NQ VALVE ADJUSTING WASHER	0.04	2
27	NQTHRTRBRG	NQ THRUST BEARING/HQ HANGER	0.19	1
28	NQSPINBRG	NQ SPINDLE BEARING	0.86	1
29	NQHANBRG	NQ HANGER BEARING	0.10	1
30	NQCOMPSPR	NQ COMPRESSION SPRING	0.17	1
31	NQNYLOC	NQ NYLOC NUT	0.07	1
32	NQITCAP	NQ INNER TUBE CAP	1.31	1
33	GRENIP	GREASE NIPPLES 1/4 UNF	0.01	1
34	SILBALL	22MM SILVER BALLS	0.05	2
35	HQCHKVBDY	NQ/HQ CHECK VALVE BODY	0.16	1



REV	DATE	BY	DESCRIPTION

HUD Mining Supplies (Pty) Ltd.
 info@hud.co.za www.hud.co.za
 Physical: 25-31 Brewery street, Isando
 Post: Postnet Suite 99, Private Bag X10010, Edenvale 1610
 Tel: +27 11 974 1500 Fax: +27 11 974 1506

NAME	DATE	TITLE
franshuc	17/06/26	NQ PUMP IN I/T HEAD COMP
SIZE	DWG NO	REV
A4	NQPITHEAD	
UNLESS OTHERWISE SPECIFIED DIMENSIONS ARE IN MILLIMETERS TOLLERANCES : OPEN DIMINTIONS ± 0.1mm ANGLES ± 15°		FILE NAME: NQPITHEAD.dft
SCALE: NTS	WEIGHT:	SHEET 1 OF 2