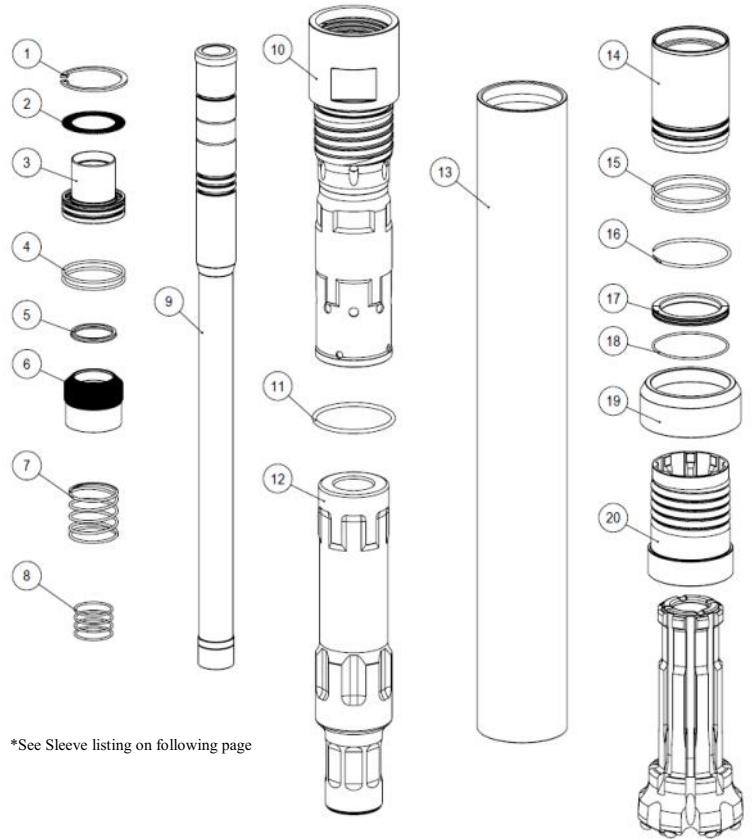


Document Type: **Spare Parts List for AD116RC**

Hammer Model: AD116RC (Hammer OD 116mm) Metzke 4"Box

Item No	Description	Part No	Weight (kg)	Qty
1	CIRCLIP	5108110	0.03	1
2	AIR SCREEN	5108620	0.02	1
3	ADAPTOR NOZZLE	5108600	0.60	1
4	ADAPTOR NOZZLE O RING	5108610	0.02	1
5	CHECK VALVE SEAL	5108915	0.02	1
6	CHECKVALVE	5108900	0.40	1
7	C/VALVE SPRING	5108910	0.10	1
8	I/TUBE O RINGS	542/3	0.02	5
9	INNER TUBE	5108505 HT	3.50	1
10	TOP CYLINDER	5116700	8.00	1
11	TOP CYLINDER O RING	5108710	0.02	1
12	PISTON	5108200	12.00	1
13	PISTON CASE	5116100	18.50	1
14	BEARING BUSH	5108300	2.50	1
15	BEARING BUSH O RING	5108310	0.02	2
16	PISTON RETAINER RING	5108201	0.02	1
17	BIT RINGS	5108800	0.30	1
18	BIT RING O RING	5108810	0.02	1
19	SLEEVE	5116920-*	0.55	1
20	DRIVE SUB	5108400	3.0	1
	O RING KIT	5108120		
	Complete Hammer	5116000	56.00	

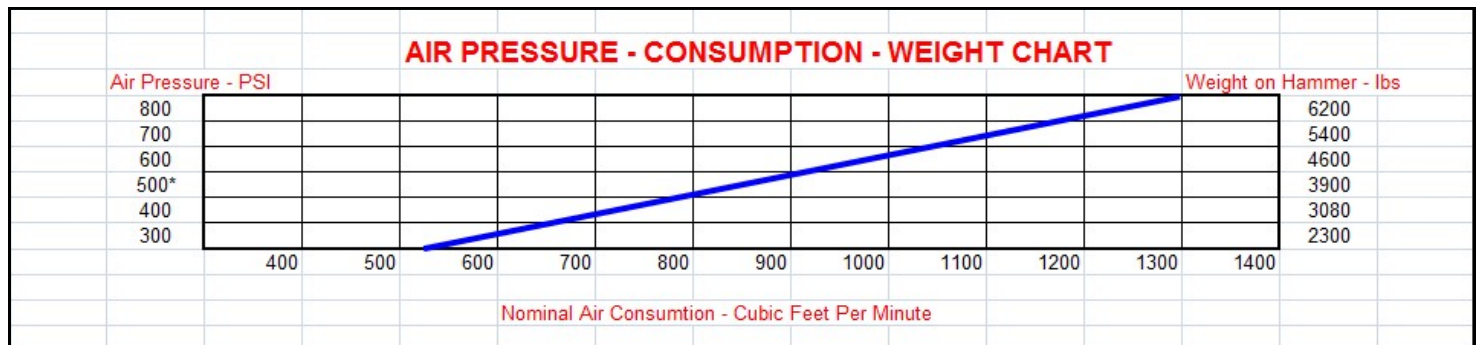


Percussion Bits

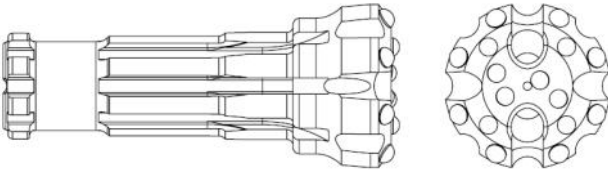
121mm (4-3/4") - 133mm (5-1/4")

Hammer Information			
Thread Make Up Torque	Thrust on Hammer	Tolerances	Spanner Flats
1406 - 1632 kg force	Minimum 1056 kg	Piston to Piston Case Clearance	0.3mm
	Maximum 2794 kg	Drill Bit Collar & Drive Sub I.D	0.5 mm

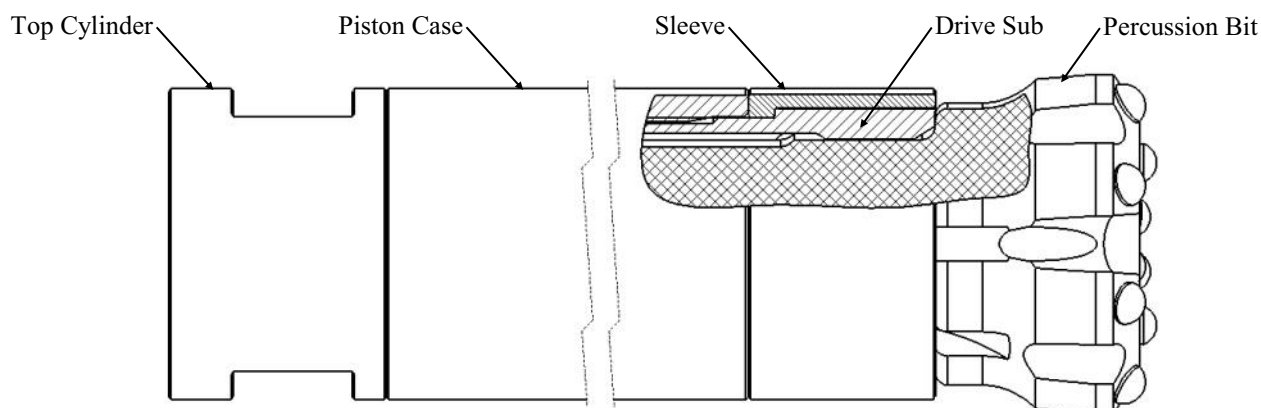
Percussion Bit Sizes			
Diameter	Weight	Face Design	Buttons
124mm	11.5kg	Concave	Hemi
127mm	11.8kg	Concave	Hemi
130mm	12kg	Concave	Hemi



PERCUSSION BITS

REVERSE CIRCULATION PERCUSSION BIT							
Hammer Model	Size		Part Number	Gauge Carbides	Face Carbides	Weight	
	mm	Inches				Kg	Lbs
5108/5116 RC	Reverse Circulation						
							
	121	4-3/4"	B5108121	8 x 9/16"	8 x 1/2"	11.3	25
	124	4-7/8"	B5108124	8 x 9/16"	8 x 1/2"	11.5	25.4
	127	5"	B5108127	8 x 9/16"	8 x 9/16"	11.8	26.1
	130	5-1/8"	B5108130	8 x 5/8"	8 x 9/16"	12	26.5
	133	5-1/4"	B5108133	8 x 5/8"	8 x 9/16"	12.2	26.9
	Collaring Bit						
	152	6"	B5108152	8 x 5/8"	9 x 5/8"	16.5	36.5
	165	6-1/2"	B5108165	8 x 5/8"	10 x 5/8"	17.4	38.5
	178	7"	B5108178	8 x 5/8"	10 x 5/8"	18.4	40.7
	191	7-1/2"	B5108191	8 x 5/8"	10 x 5/8"	19	42

SLEEVES



Airdrill Hammers and Bits recommends running an ADHB Sleeve with our Hammers and Drill Bits. Refer to the table below for sleeve part numbers

5108/5116 Sleeve Part Numbers			
Sleeve Part Number	Sleeve Finish Diameter	Suit Bit Size	Percussion Bit Part Number
5116920-01	119.1	121 (4-3/4")	B5108121
5116920-03	122.2	124 (4-7/8")	B5108124
5116920-05	125.4	127 (5")	B5108127
5116920-07	128.6	130 (5-1/8")	B5108130
5116920-09	131.8	133 (5-1/4")	B5108133
5116920-21	150.8	152 (6")	B5108152
5116920-29	163.5	165 (6-1/2")	B5108165
5116920-37	176.2	178 (7")	B5108178
5116920-45	188.9	191 (7-1/2")	B5108191

Please Note: Outside diameter of all sleeve's is 1.6mm (1/16") smaller than the nominal bit diameter.

